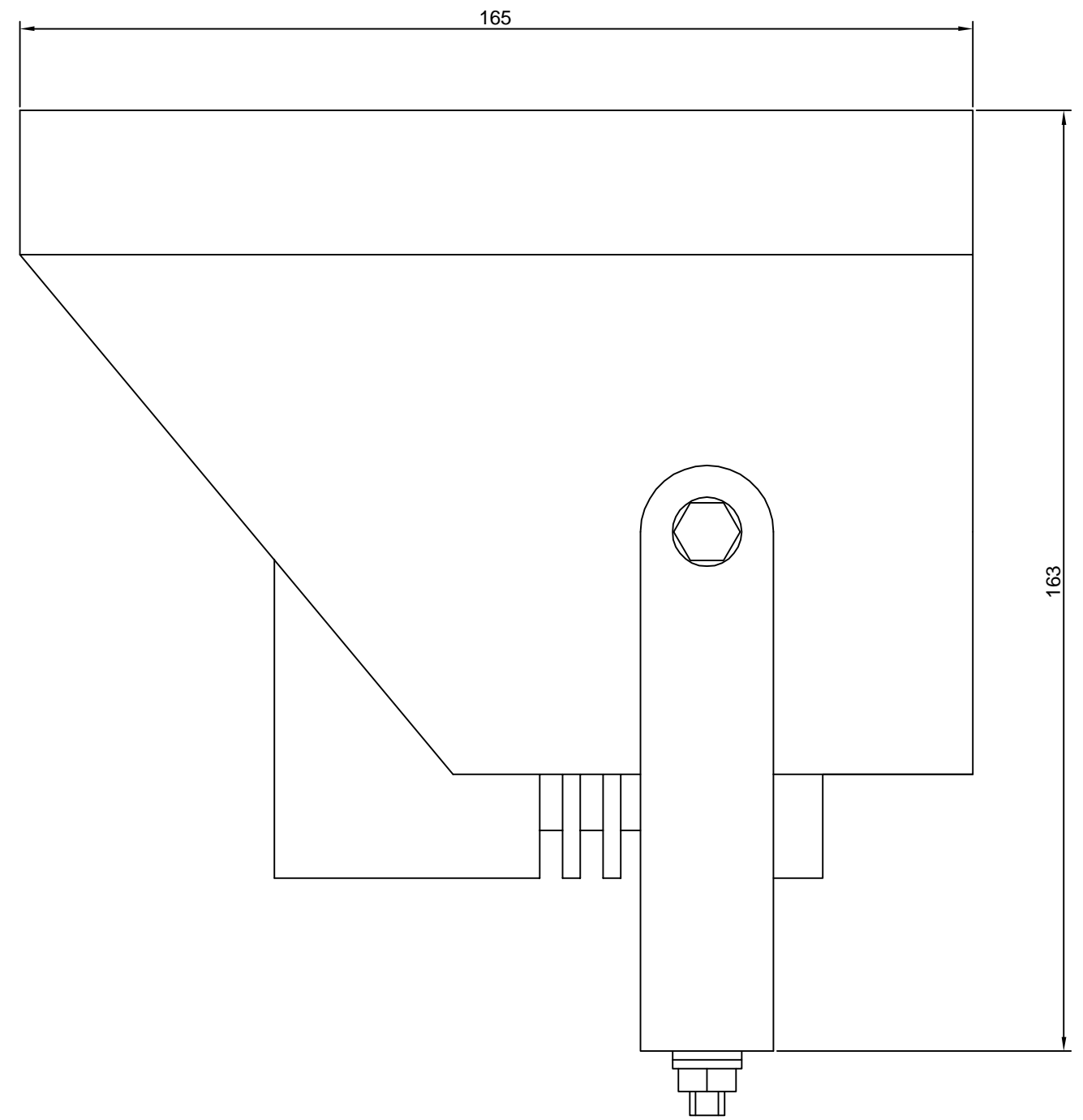
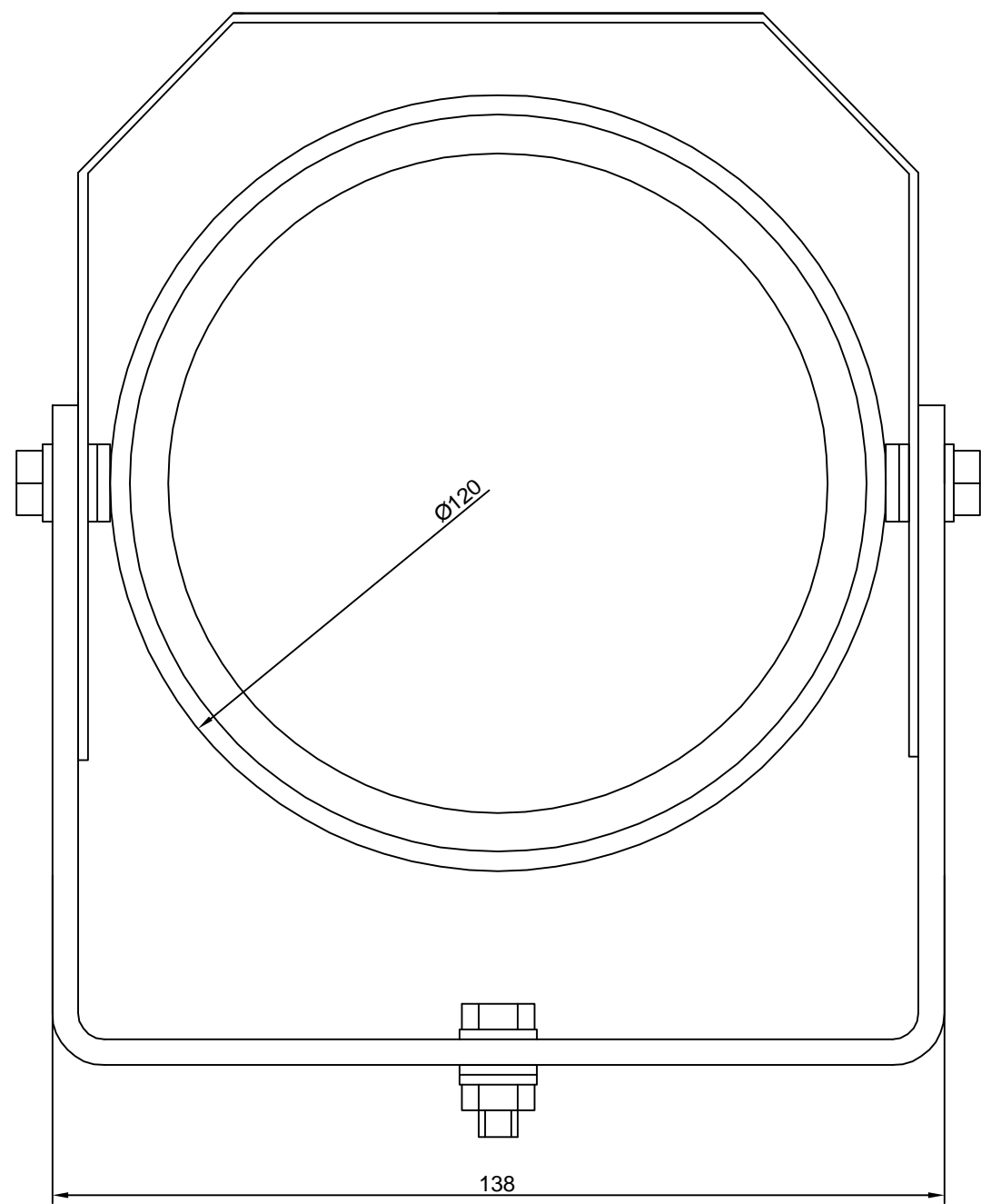


1 | 2 | 3 | 4 | 5 | 6 | 7 | 8

A
B
C
D
E
F

A
B
C
D
E
F



PIK 10.7, 10, 10.3

Itemref	Quantity	Title/Name, designation, material, dimension etc			Article No./Reference	
Designed by G. Mirská	Checked by XXX	Approved by - date XXX - 00/00/00	File name XXX	Date 26/11/05	Scale 1:1	
AssiDu s.r.o.			PIK 7			
			x	Edition 0	Sheet 1/1	

1 | 2 | 3 | 4 | 5 | 6 | 7 | 8