

1

2

3

4

5

6

7

8

RevNo	Revision note	Date	Signature	Checked
-------	---------------	------	-----------	---------

A

B

C

D

E

F

A

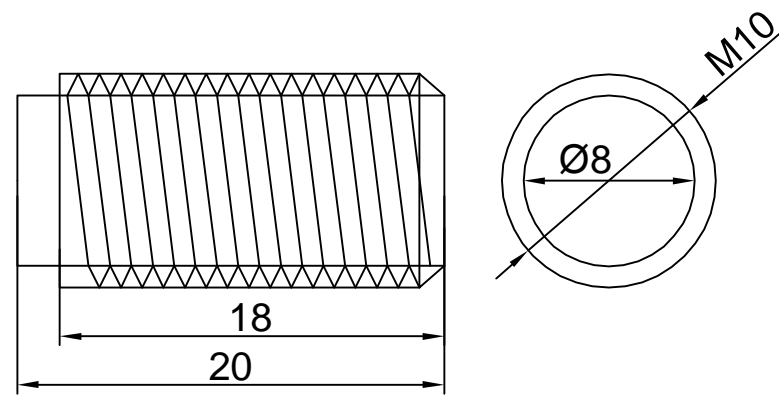
B

C

D

E

F



PIK 23 BRAD

Itemref	Quantity	Title/Name, designation, material, dimension etc			Article No./Reference	
Designed by G. Mirská	Checked by XXX	Approved by - date XXX - 00/00/00	File name XXX	Date 26/11/05	Scale 1:1	
AssiDu s.r.o.			PIK 23 BRAD			
				x	Edition 0	Sheet 1/1

1

2

3

6

7

8