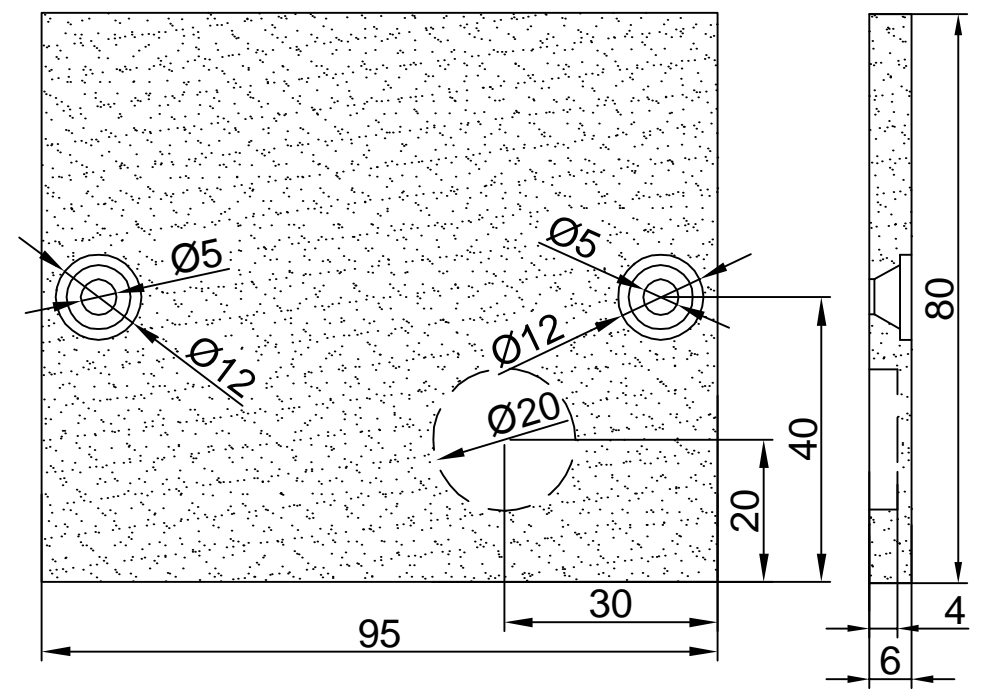


1 2 3 4 5 6 7 8

RevNo	Revision note	Date	Signature	Checked
-------	---------------	------	-----------	---------



PIK 23 PLATE

Itemref	Quantity	Title/Name, designation, material, dimension etc			Article No./Reference	
Designed by G. Mirská	Checked by XXX	Approved by - date XXX - 00/00/00	File name XXX	Date 26/11/05	Scale 1:1	
AssiDu s.r.o.			PIK 23 PLATE			
			x	Edition 0	Sheet 1/1	

1 2 3 4 5 6 7 8