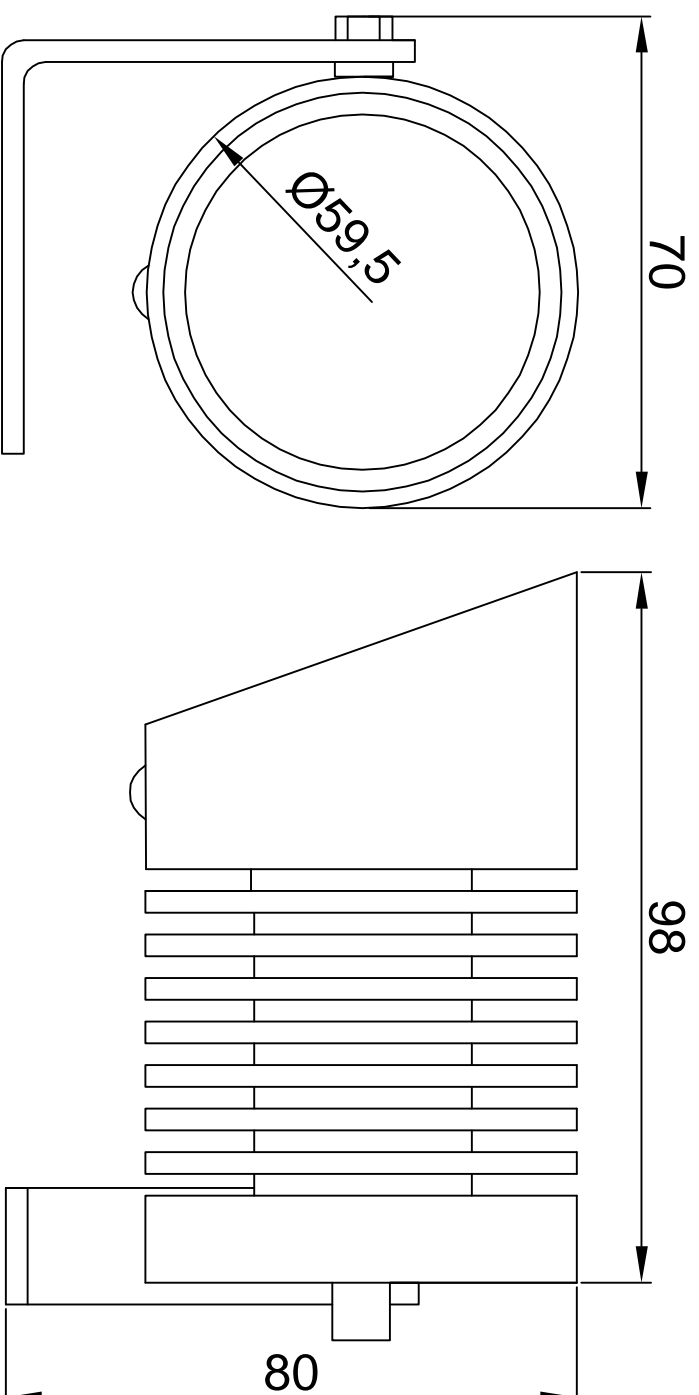


RevNo	Revision note	Date	Signature	Checked
-------	---------------	------	-----------	---------



# PIK 41, 42

Itemref	Quantity	Title/Name, designation, material, dimension etc			Article No./Reference	
Designed by G. Mirská		Checked by XXX	Approved by - date XXX - 00/00/00	File name XXX	Date 26/11/05	Scale 1:1
AssIDu s.r.o.			PIK 41			
			X		Edition 0	Sheet 1/1